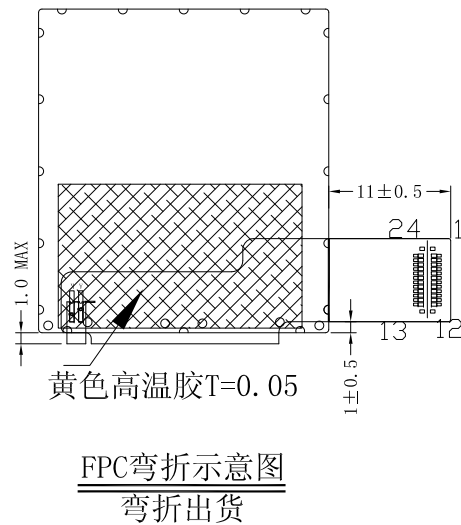
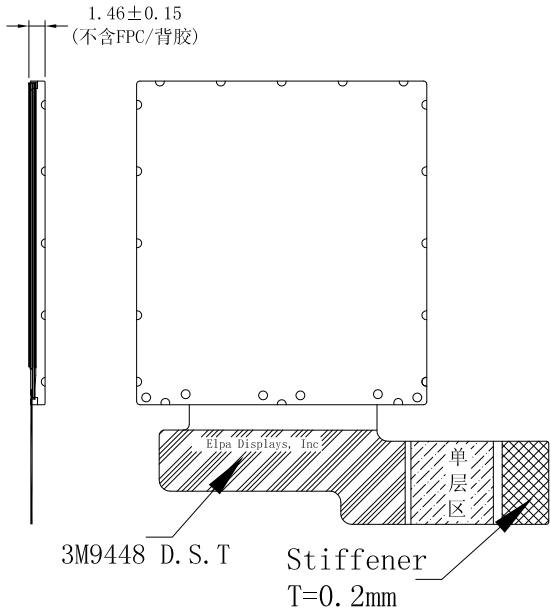
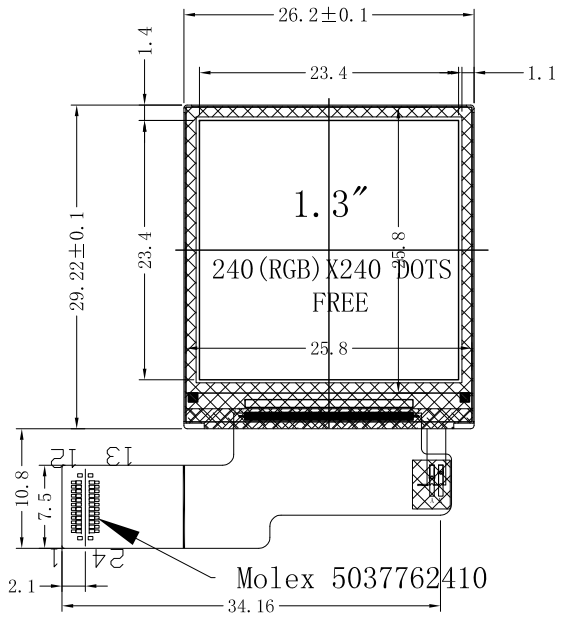


1 | 2 | 3 | 4 | 5 | 6 | 7 | 8

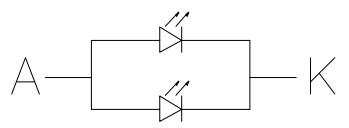
REV.	DRG DATE	DESCRIPTION	DRAWN BY
1.0	20181220	取消FPC正面丝印	LIGANG
2.0	20190301	更改FPC双面胶，增加黄色麦拉	LIGANG
3.0			

A  
B  
C  
D  
E



PIN	NAME
1	LEDA
2	LEDK
3	VCC I/O
4	GND
5	VCC
6	RESET
7	DB8
8	DB7
9	DB6
10	DB5
11	DB4
12	DB3
13	DB2
14	DB1
15	DB0
16	RD
17	WR
18	CS
19	D/C
20	GND
21	GND
22	GND
23	GND
24	GND

- Specification:
- Viewing angle: FREE
  - Display mode: Normally Black
  - Operating temp: -20°C~+60°C
  - Storage temp: -30°C~+70°C
  - LCD Driver IC: ST7789V
  - Backlight: 2 chip White LED
  - General Tolerance: ±0.2
  - ROHS Request



DRG DATE	18.09.28	TITLE	LCM OUTLINE	Rocktech Displays Limited			
CHECK	LIGANG	MODEL	RK013BF001A0				
CHECK		DWG No.		REV.	UNIT	SIZE	(3)
APPROVE		PAGE	1 OF 1	2.0	mm	A4	